

Encapsulated Current Limiting Fuses

Encapsulated Current Limiting Fuses

G&W's EPOX[®] encapsulated fuses provide the current limiting protection of an X-Limiter[™] full range fuse within a completely sealed, rugged epoxy housing designed for submersible applications. No derating of the fuse is required. Terminal connections consist of IEEE 200A bushing wells permitting the use of 200A load break bushing inserts and elbows. The dead-front units are designed for single phase load protection through 50kA and are applicable for pad-mount, vault or subsurface applications. Optional stainless steel mounting brackets with integral parking stands allow the fuses to be mounted easily with a minimal support structure. Elbow mounted fuses are available for switchgear applications.

Features

Ease of installation - The economical, one piece EPOX encapsulated fuse can be easily installed and removed. There is no assembly of components or special tools required. Hold down straps permit fuse removal without removing the mounting bracket.

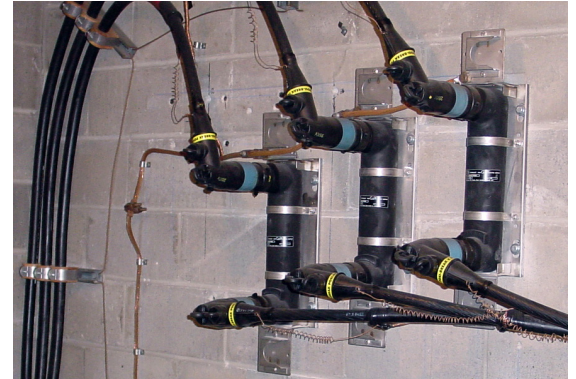
Rugged construction using EPOX technology - G&W's EPOX quality process uses time-proven epoxy resin to assure a void-free, extremely durable system impervious to environmental contamination. The epoxy system provides excellent mechanical and electrical properties, excellent fracture toughness, and outstanding thermal endurance.

Tested Reliability - EPOX fuses are designed and tested to applicable sections of IEEE C37.40, IEEE C37.41, IEEE C37.47 and ANSI/IEEE 386 standards.

Customizing Capability - G&W specializes in custom solutions to meet the ever changing needs of it's customers. Contact your G&W representative with specific application requirements.

RATINGS

Voltage Class (kV)	25
Voltage (kV) Phase-to-ground	15.2
BIL Impulse (kV)	125
Continuous Current (A)	10-125
One Minute AC Withstand (kV)	40
Fifteen Minute DC Withstand (kV)	78
Interrupting (kA) rms sym	50



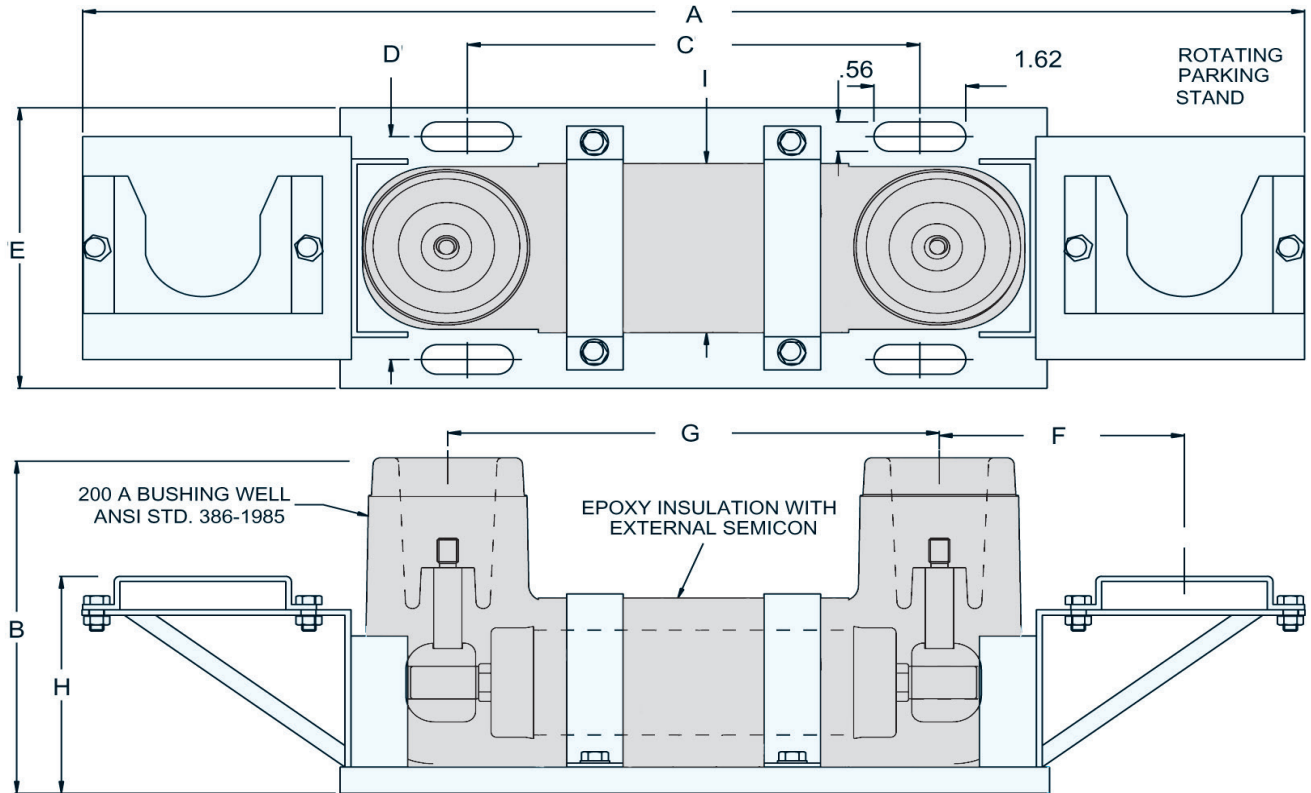
2-position fuse with mounting bracket.



Typical installation showing a 3-position feed-through application in a submersible vault.

2-Position Fuse

The 2-position design is G&W's most compact encapsulated fuse. The small space required for mounting makes the feedthrough design ideal for vault, transformer, and padmount installations. The optional 304 stainless steel mounting bracket can be mounted horizontal or vertically. Integral parking stands can be rotated to match the installation. Hold down straps allow fuse replacement without removing the bracket and also provide direct surface mounting of the fuse for padmount installations.



Maximum Voltage Rating (kV)	Available Current Ratings (A)	Fuse Catalog Number*	Optimal Bracket Catalog Number	Approximate Dimensions - Inches (mm)								
				A	B	C	D	E	F	G	H	I
15.5	10, 12, 18, 20, 25, 30, 40	FSE2PC15F_---	2029.BKT	33.8 (859)	6.7 (170)	14.5 (368)	6.0 (152)	7.2 (183)	5.5 (140)	13.1 (333)	4.1 (104)	3.2 (81)
	50, 65, 80, 100, 125	FSE2PD15F_---	2029.BKT	36.6 (930)	7.7 (195)	17.5 (445)	6.0 (152)	7.2 (183)	5.5 (140)	15.9 (404)	4.1 (104)	4.3 (109)

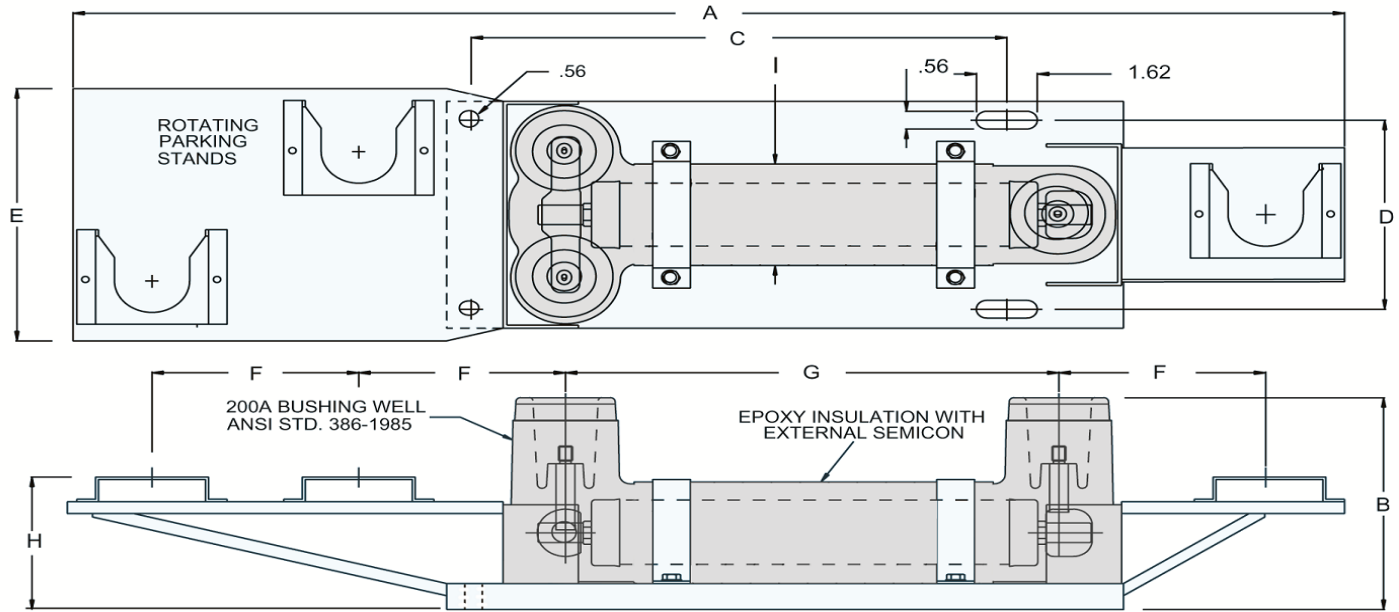
*Fill in last three digits with current rating, i.e., 30A = 030, 100A = 100, etc.

Ordering Information

From the table above, specify Fuse Catalog Number. Example: FSE3PA15F030 (3-Position Fuse, 15.5kV, 30A)
Order the optional 304 stainless steel mounting bracket (see chart for catalog number) as a separate line item.
The bracket comes with separate parking stands for each 200A interface.

3-Position Fuse

The 3-position feed through/line tap design provides a 2-position "U" junction on the line side and a single position tap on the fuse load. An arrester or insulating plug can also be inserted into the second line location. The optional 304 stainless steel mounting bracket can be mounted horizontal or vertically. Integral parking stands can be rotated to match the installation. Hold down straps allow fuse replacement without removing the bracket and also provide direct surface mounting of the fuse for padmount installations.

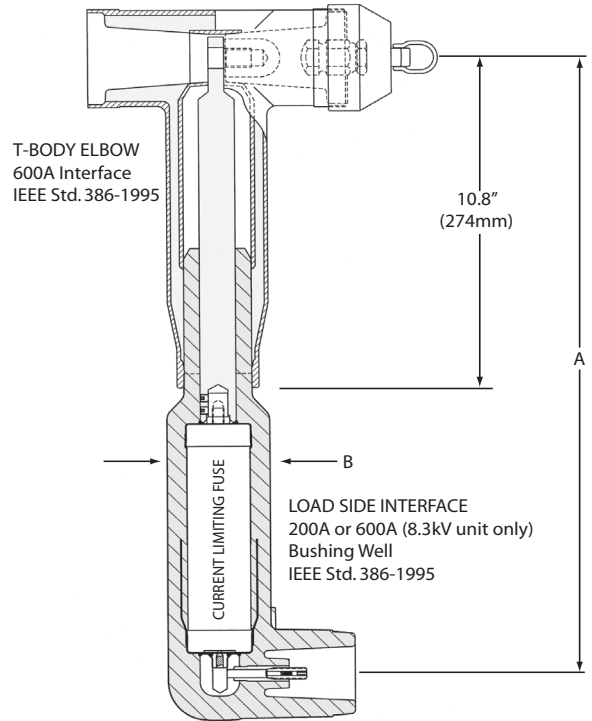
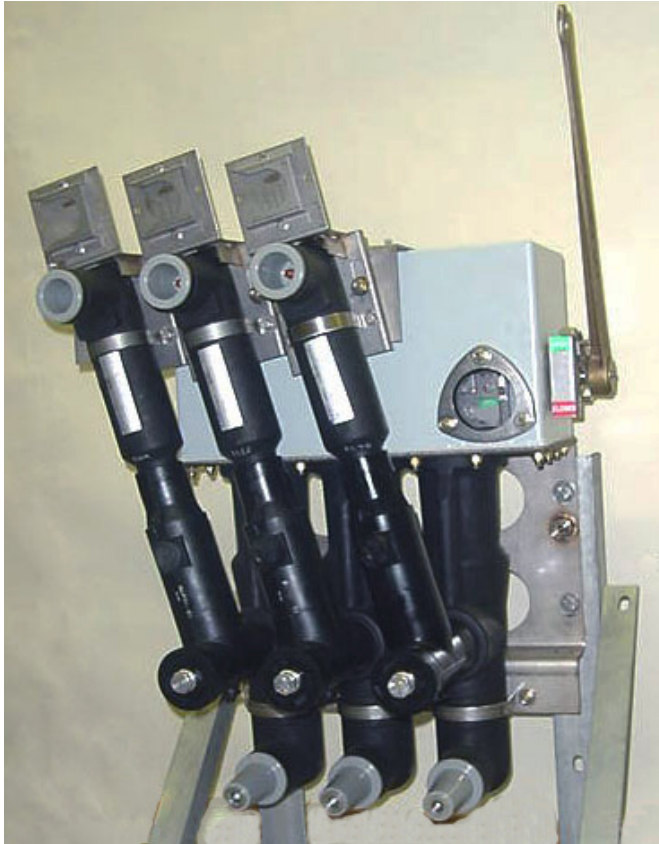


Maximum Voltage Rating (kV)	Available Current Ratings (A)	Fuse Catalog Number*	Optimal Bracket Catalog Number	Approximate Dimensions - Inches (mm)								
				A	B	C	D	E	F	G	H	I
15.5	10, 12, 18, 20, 25, 30, 40	FSE2PC15F_---	2031.BKT	33.8 (859)	6.7 (170)	14.5 (368)	6.0 (152)	7.2 (183)	5.5 (140)	13.1 (333)	4.1 (104)	3.2 (81)
	50, 65, 80, 100, 125	FSE2PD15F_---	2032.BKT	36.6 (930)	7.7 (195)	17.5 (445)	6.0 (152)	7.2 (183)	5.5 (140)	15.9 (404)	4.1 (104)	4.3 (109)

Elbow Mounted Fuses

For Switchgear Applications

Elbow mounted fuses are available for direct attachment to 600A bushing interfaces on G&W switchgear. Standard provision includes threaded studs mounted on the switch mechanism housing to accept support brackets. Stainless steel mounting brackets with and without parking stands are available (consult your G&W representative). An interlock provision is also available which includes a padlockable hinged stainless steel cover providing a mechanical interlock to prevent access to fuses unless the operating handle is in the open position. Contact your local G&W Sales Representative for more information.



Fused three phase switch with support bracket and parking stands.

Maximum Voltage Rating (kV)	Available Current Ratings (A)	Fuse Catalog Number*	Approximate Dimensions - Inches (mm)	
			A	B
15.5	10, 12, 18, 20, 25, 30, 40	FSE2TC15F__E	24 (610)	3.2 (81)
	50, 65, 80, 100, 125	FSE2TD15F__E	28 (711)	4.3 (109)

*Fill in last three digits with current rating, i.e., 30A = 030, 100A = 100, etc.

Contact us today

708.388.5010 or info@gwelec.com

G&W Electric

Engineered to order. Built to last.

Since 1905, G&W Electric has been a leading provider of innovative power grid solutions, including the latest in load and fault interrupting switches, reclosers, system protection equipment, power grid automation and transmission and distribution cable terminations, joints and other cable accessories. G&W is headquartered in Bolingbrook, Illinois, U.S.A., with manufacturing facilities and sales support in more than 100 countries, including China, Mexico, Canada, UAE, India, Singapore and Brazil. We help our customers meet their challenges and gain a competitive edge through a suite of advanced products and technical services.